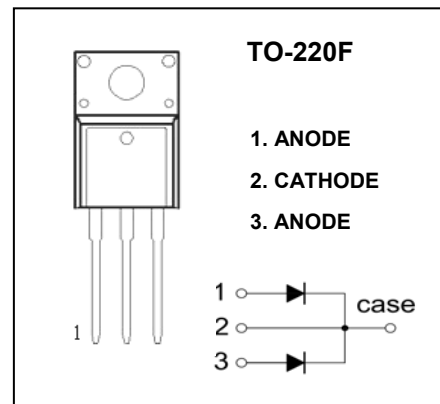
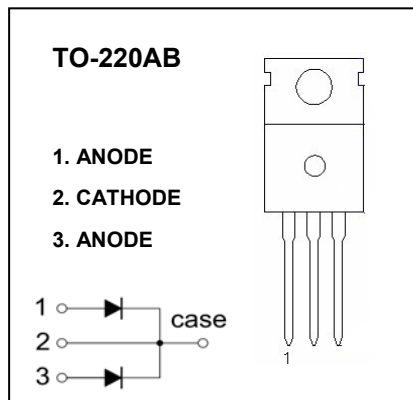


MBR30150CT SCHOTTKY BARRIER RECTIFIER MBRF30150CT



MAXIMUM RATINGS ($T_a=25^{\circ}\text{C}$ unless otherwise noted)

Symbol	Parameter	Value	Unit
V_{RRM}	Peak repetitive reverse voltage	150	V
V_{RWM}	Working peak reverse voltage		
$V_{R(RMS)}$	RMS reverse voltage	105	V
I_o	Average rectified output current	30	A
I_{FSM}	Non-Repetitive peak forward surge current 8.3ms half sine wave	200	A
P_D	Power dissipation	2	W
$R_{\theta JA}$	Thermal resistance from junction to ambient	50	$^{\circ}\text{C/W}$
T_j	Junction temperature	125	$^{\circ}\text{C}$
T_{stg}	Storage temperature	-55~+150	$^{\circ}\text{C}$

ELECTRICAL CHARACTERISTICS ($T_a=25^{\circ}\text{C}$ unless otherwise specified)

Parameter	Symbol	Test conditions	Min	Typ	Max	Unit
Reverse voltage	$V_{(BR)}$	$I_R=1\text{mA}$	150			V
Reverse current	I_R	$V_R=150\text{V}$			0.1	mA
Forward voltage	V_F	$I_F=15\text{A}$			1	V
Total capacitance	C_{tot}	$V_R=4\text{V}, f=1\text{MHz}$			320	pF