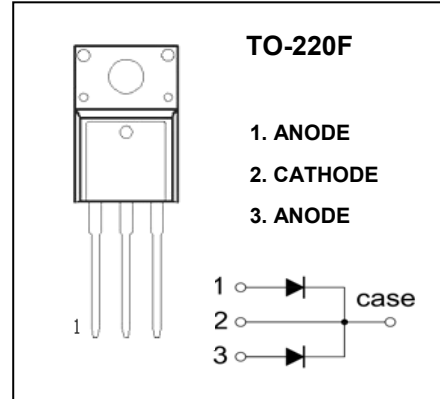
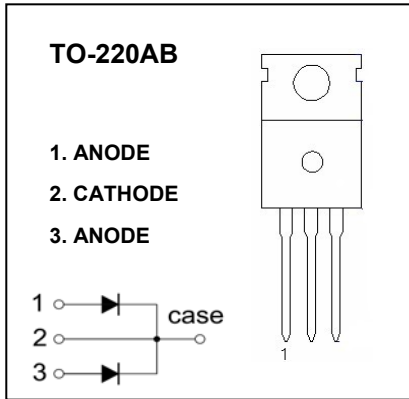


MBR30200CT SCHOTTKY BARRIER RECTIFIER MBRF30200CT



MAXIMUM RATINGS ($T_a=25^{\circ}\text{C}$ unless otherwise noted)

Symbol	Parameter	Value	Unit
V_{RRM}	Peak repetitive reverse voltage	200	V
V_{RWM}	Working peak reverse voltage		
V_R	DC blocking voltage		
$V_{R(RMS)}$	RMS reverse voltage	140	V
I_o	Average rectified output current	30	A
I_{FSM}	Non-Repetitive peak forward surge current 8.3ms half sine wave	350	A
P_D	Power dissipation	2	W
$R_{\theta JA}$	Thermal resistance from junction to ambient	50	$^{\circ}\text{C/W}$
T_j	Junction temperature	125	$^{\circ}\text{C}$
T_{stg}	Storage temperature	-55~+150	$^{\circ}\text{C}$

ELECTRICAL CHARACTERISTICS ($T_a=25^{\circ}\text{C}$ unless otherwise specified)

Parameter	Symbol	Test conditions	Min	Typ	Max	Unit
Reverse voltage	$V_{(BR)}$	$I_R=1\text{mA}$	200			V
Reverse current	I_R	$V_R=200\text{V}$			100	μA
Forward voltage	V_{F1}	$I_F=15\text{A}$			1	V
Forward voltage	V_{F2}^*	$I_F=30\text{A}$			1.1	V
Typical total capacitance	C_{tot}	$V_R=4\text{V}, f=1\text{MHz}$		800		pF