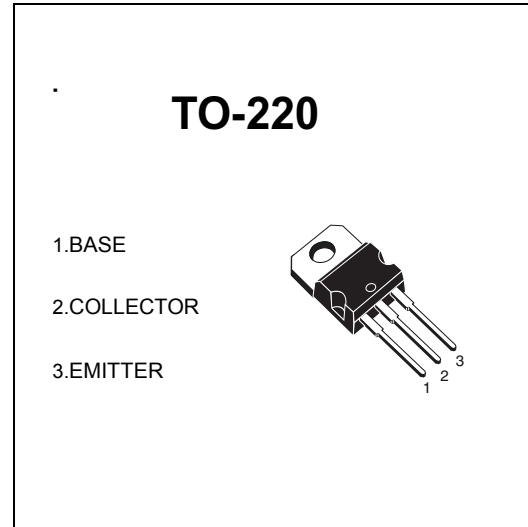


## TO-220 Plastic-Encapsulate Transistor's

### TIP127 TRANSISTOR (PNP)

: 95HI F9G

- High DC Current Gain
- Electrically Similar to Popular TIP127
- Built-in a Damper Diode at E-C



A5L-AI A F5HB; G (Ta=25°C unless otherwise noted)

Parameter	Symbol	Value	Unit
Collector-Base Voltage	$V_{CB}$	100	V
Collector-Emitter Voltage	$V_{CE}$	100	V
Emitter-Base Voltage	$V_{EB}$	5	V
Collector Current -Continuous	$I_C$	5	A
Collector Dissipation	$P_D$	2	W
Junction and Storage Temperature	$T_{jstg}$	-55-150	°C

9 @ 7 HF 7 5 @ 7 < 5 F 5 7 H 9 F - G H 7 G (H1 &) °C i b`Ygg`ch Yfk jgY gdYVZQX

Parameter	Symbol	Test Conditions	Value	Unit
Collector-Base Voltage	$V_{(BR)CBO}$	$I_C=1mA, I_E=0$	100	V
Collector-Base Voltage	$V_{(BR)CEO}$	$I_C=30mA, I_B=0$	100	V
Emitter-Base Voltage	$V_{(BR)EBO}$	$I_E=3mA, I_C=0$	5	V
Collector Current	$I_{CBO}$	$V_{CB}=100V, I_E=0$	10	$\mu A$
Collector Current	$I_{CEO}$	$V_{CE}=50V, I_E=0$	10	$\mu A$
Emitter Current	$I_{EBO}$	$V_{EB}=5V, I_C=0$	2	mA
Current Gain	$h_{FE(2)}$	$V_{CE}=4V, I_C=4A$	1000	
	$h_{FE(3)}$	$V_{CE}=4V, I_C=8A$	100	
Collector-Emitter Saturation Voltage	$V_{CE(sat)(1)}$	$I_C=4A, I_B=16mA$	2	V
	$V_{CE(sat)(2)}$	$I_C=8A, I_B=80mA$	4	V
Collector-Base Saturation Voltage	$V_{BE(sat)}$	$I_C=8A, I_B=80mA$	4.5	V
Collector-Base Saturation Voltage	$V_{BE}$	$V_{CE}=4V, I_C=4A$	2.8	V
Output Capacitance	$C_{ob}$	$V_{CB}=10V, I_E=0, f=0.1MHz$	200	pF